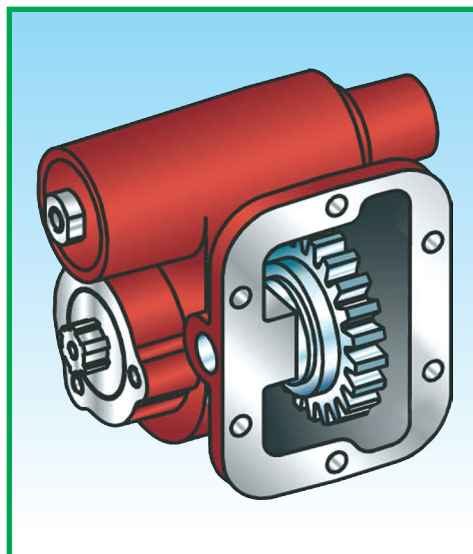




NEW PTO CODE 30H2 FOR HINO MZ12 GEARBOXES

HYDROCAR has now available the new PTO's code 30H2 for the Hino MZ12 gearboxes.

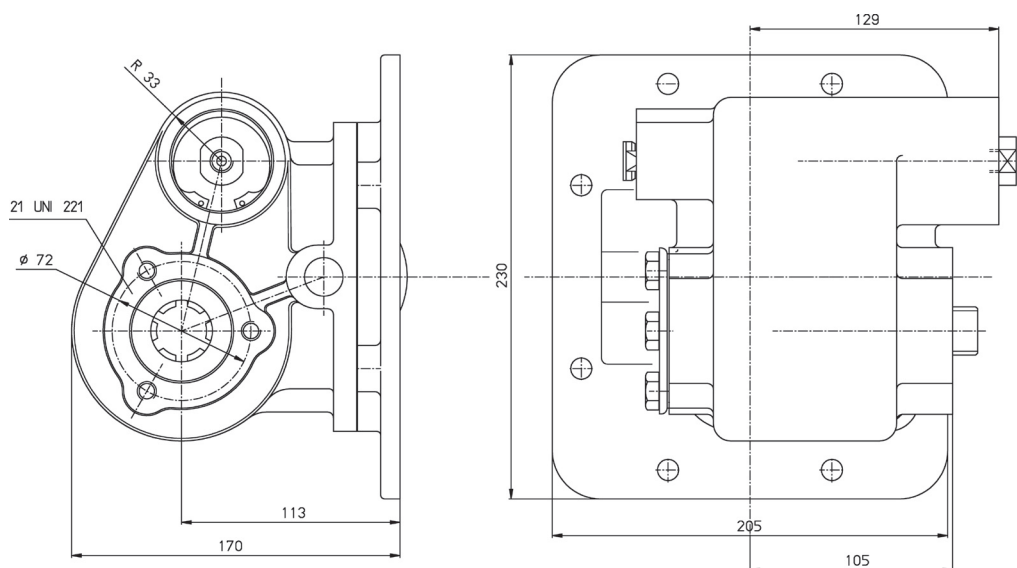
For more details, please contact our sales department or refer to our WebPTO program ("Main Archives" menu, "PTO" section).



TECHNICAL SPECIFICATIONS PTO SERIES 30H2

Torque (Nm):	300
Output r.p.m. / motor ratio:	1.111 (slow) 1.247 (fast)
Rotation:	engine
Shift type:	pneumatic
Require:	mounting kit code 199K8180000 adapter kit code 602AD245000 adapter assembly kit code 199K8670000
On request:	Sipea 7820 switch kit code 194KSP09000

NEW



VEHICLE MOTION DIRECTION